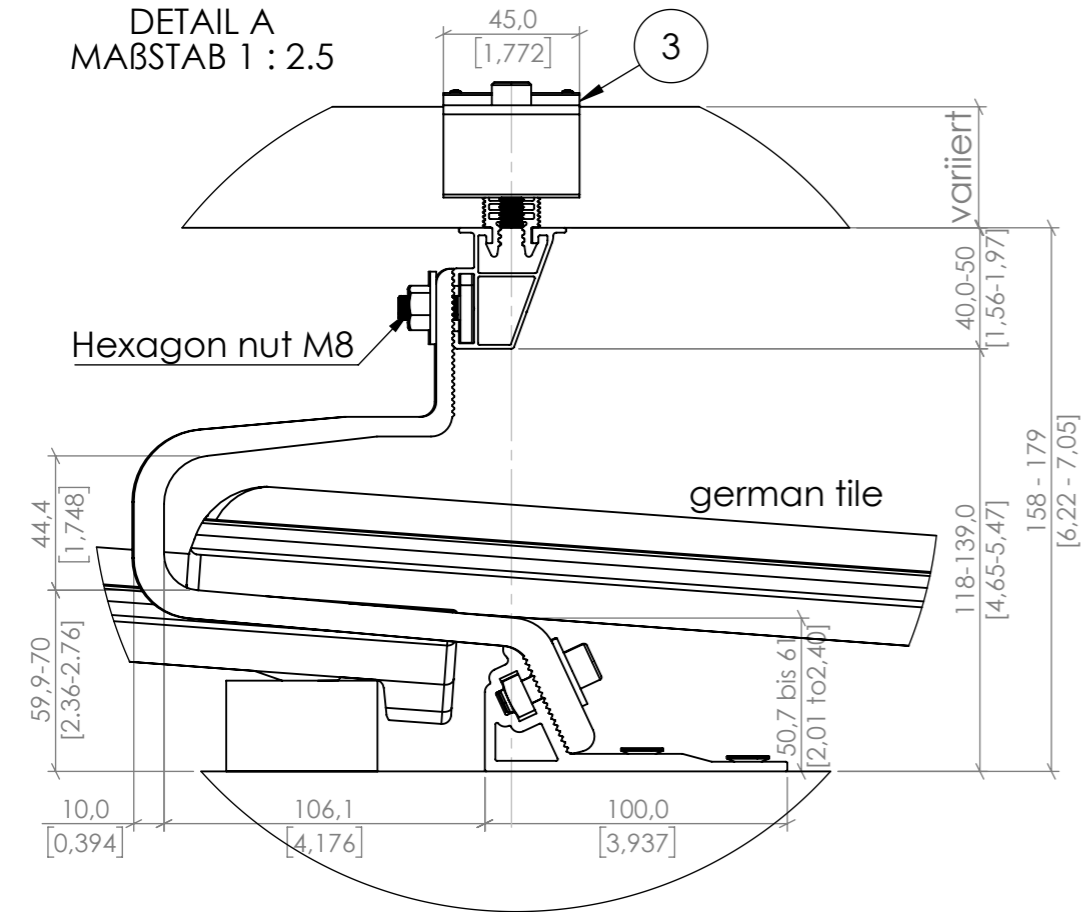
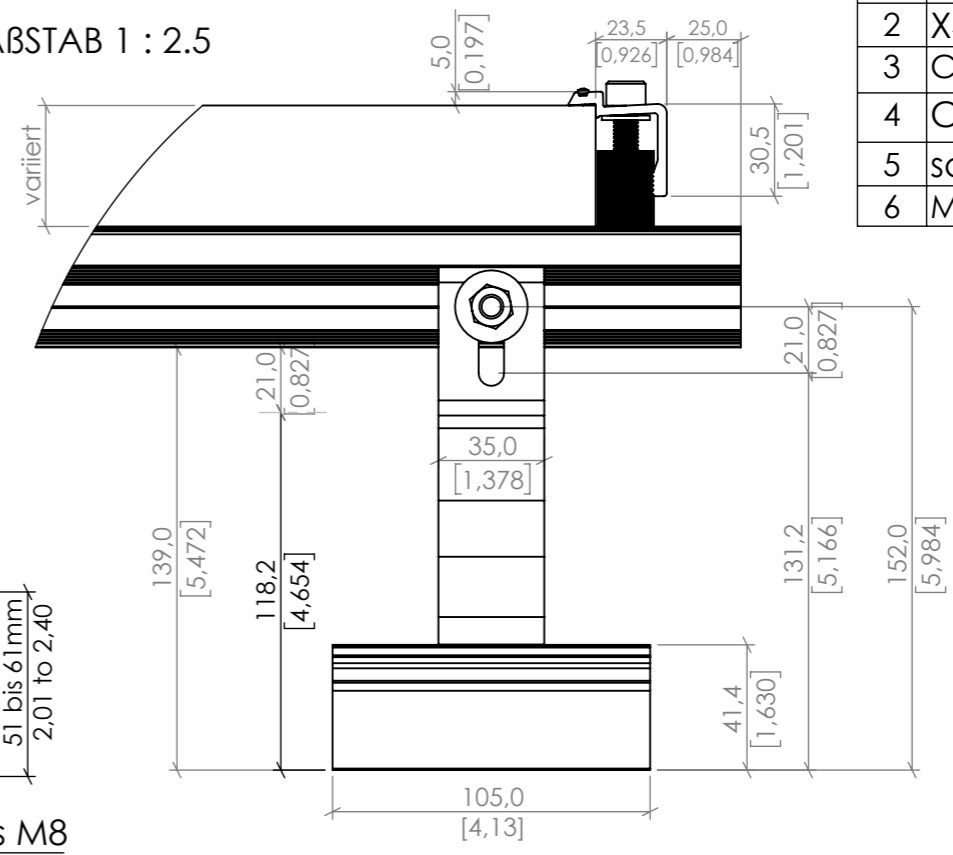
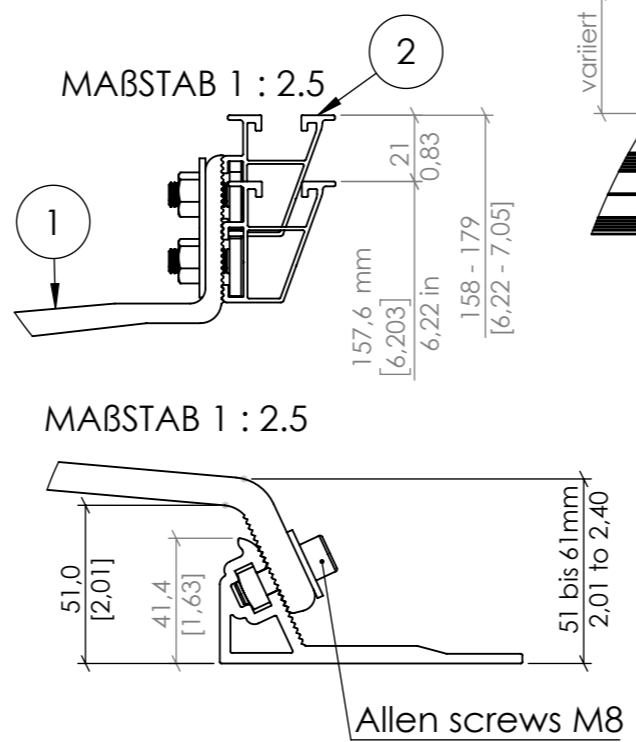


Nr.	Part
1	XT35 Roof hook
2	X40
3	CLE10 end clamp
4	CLM10 middle clamp
5	screws
6	Module

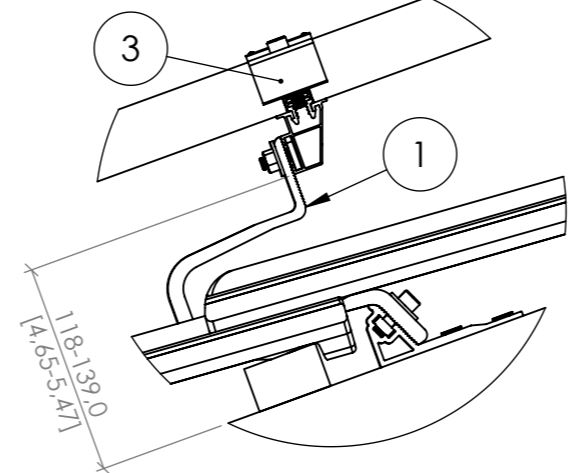
DETAIL A
MABSTAB 1 : 2.5



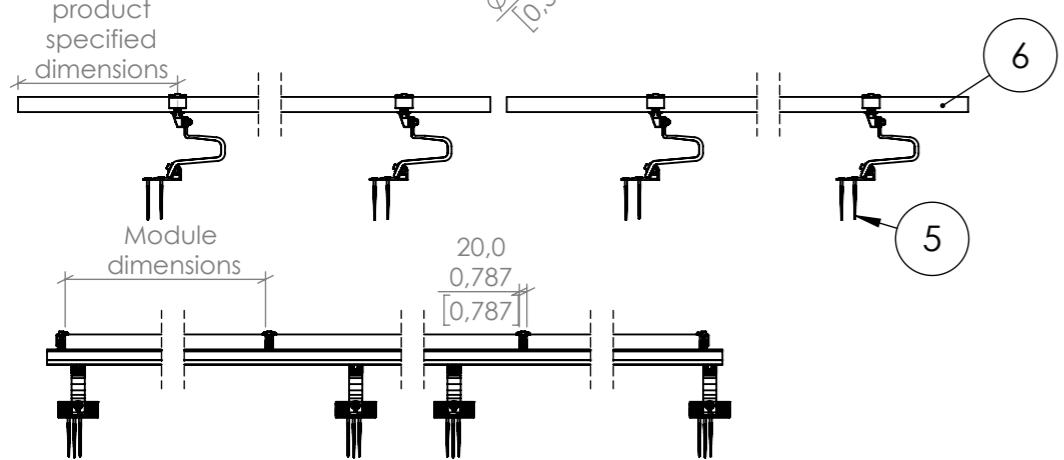
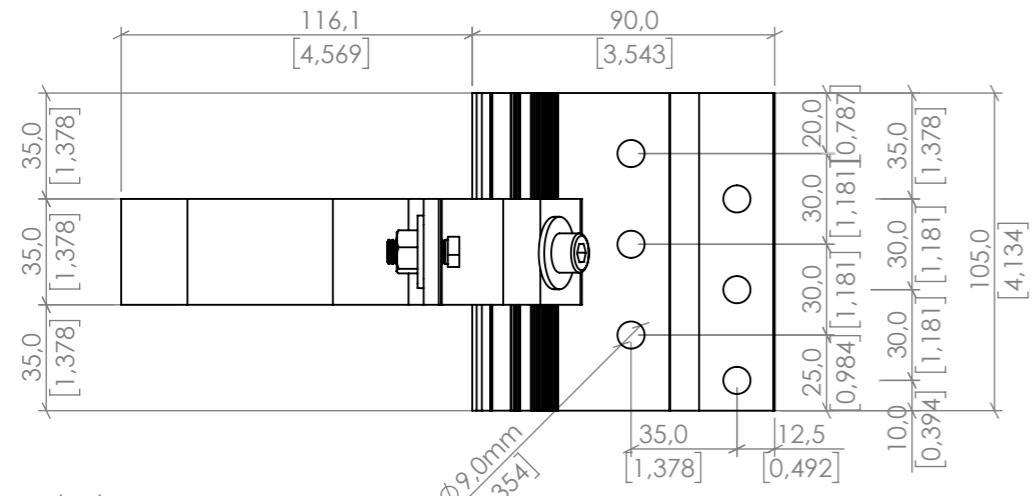
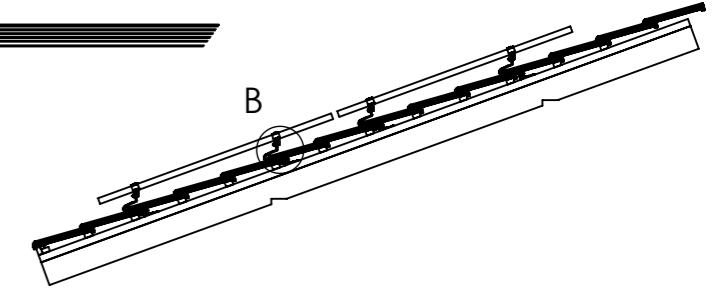
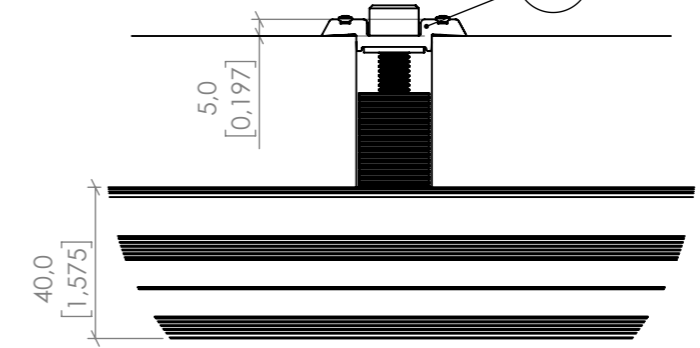
MABSTAB 1 : 2.5



DETAIL B
MABSTAB 1 : 5



CLM10 middle clamp
MABSTAB 1 : 2



We reserve all rights for this drawing also in case of patent or registration of design. This drawing may neither be copied nor opened to a third party without our written agreement. It may also not be used improperly by the recipient or a third party in other ways. Contraventions oblige to compensation and can be prosecuted.

Execution Class:	EXC3	(allowable tolerances)	(Surface)	mill finished	Scale:	M:1:10	Weight:
	according to EN1090	DIN ISO 2768 -vL			(Material, Pre-Product)		
F			drawn	MR	26.02.2019	(unmachined Part)	
E			proved	MR	27.09.2019	(Model - or Die - Nr)	
D			released	MR	27092019		
C			AEROCOMPACT		Drawing:		Page
B			www.aerocompact.com				1
A			office@aerocompact.com			XT35_X40_CLE10_CLM10	A3
	Modification	Date	Name	(Origin:)		(Replacement:)	